

Medical Biochemistry at a Glance

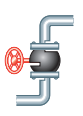
Third Edition

J.G. Salway

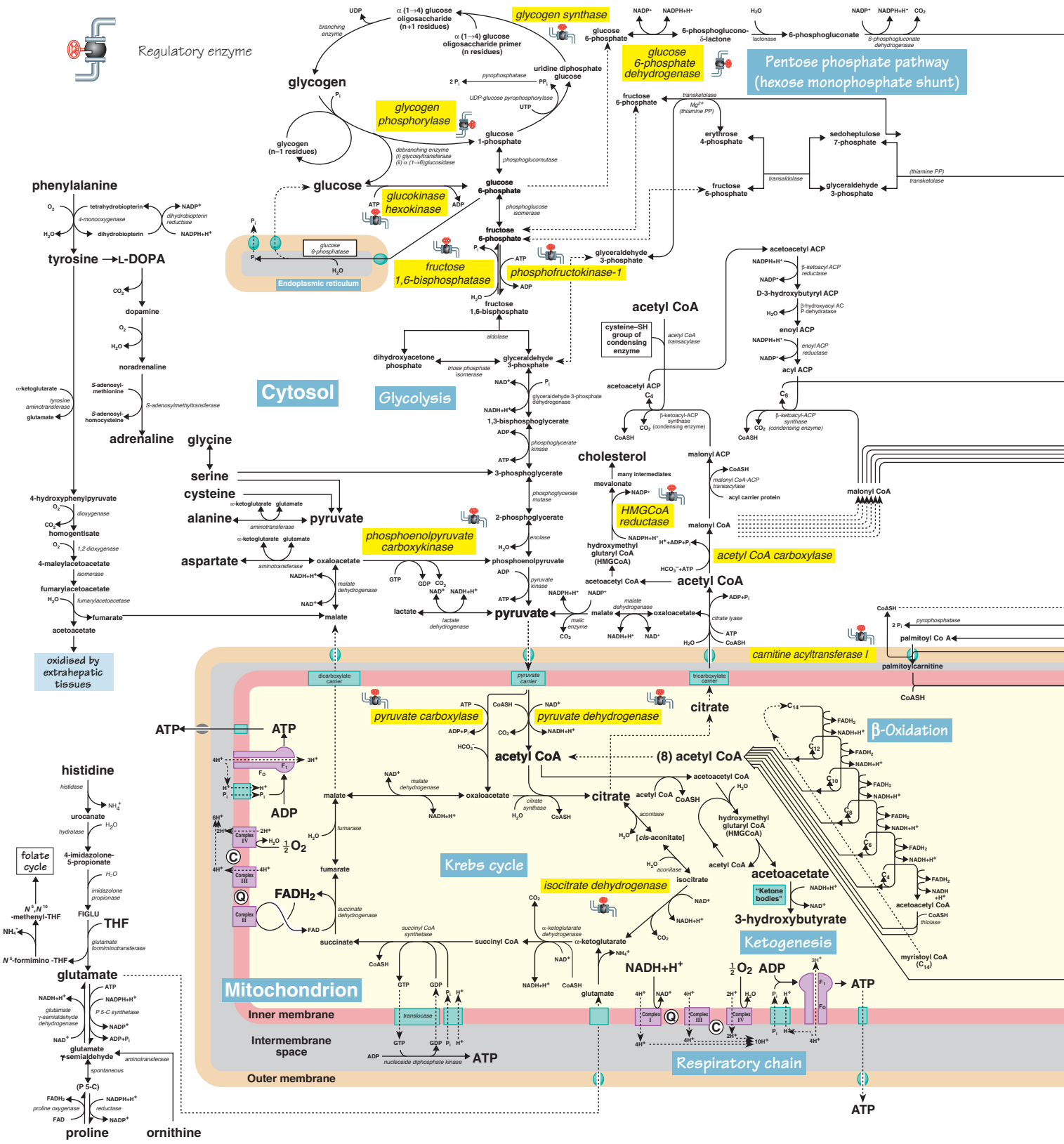
 WILEY-BLACKWELL

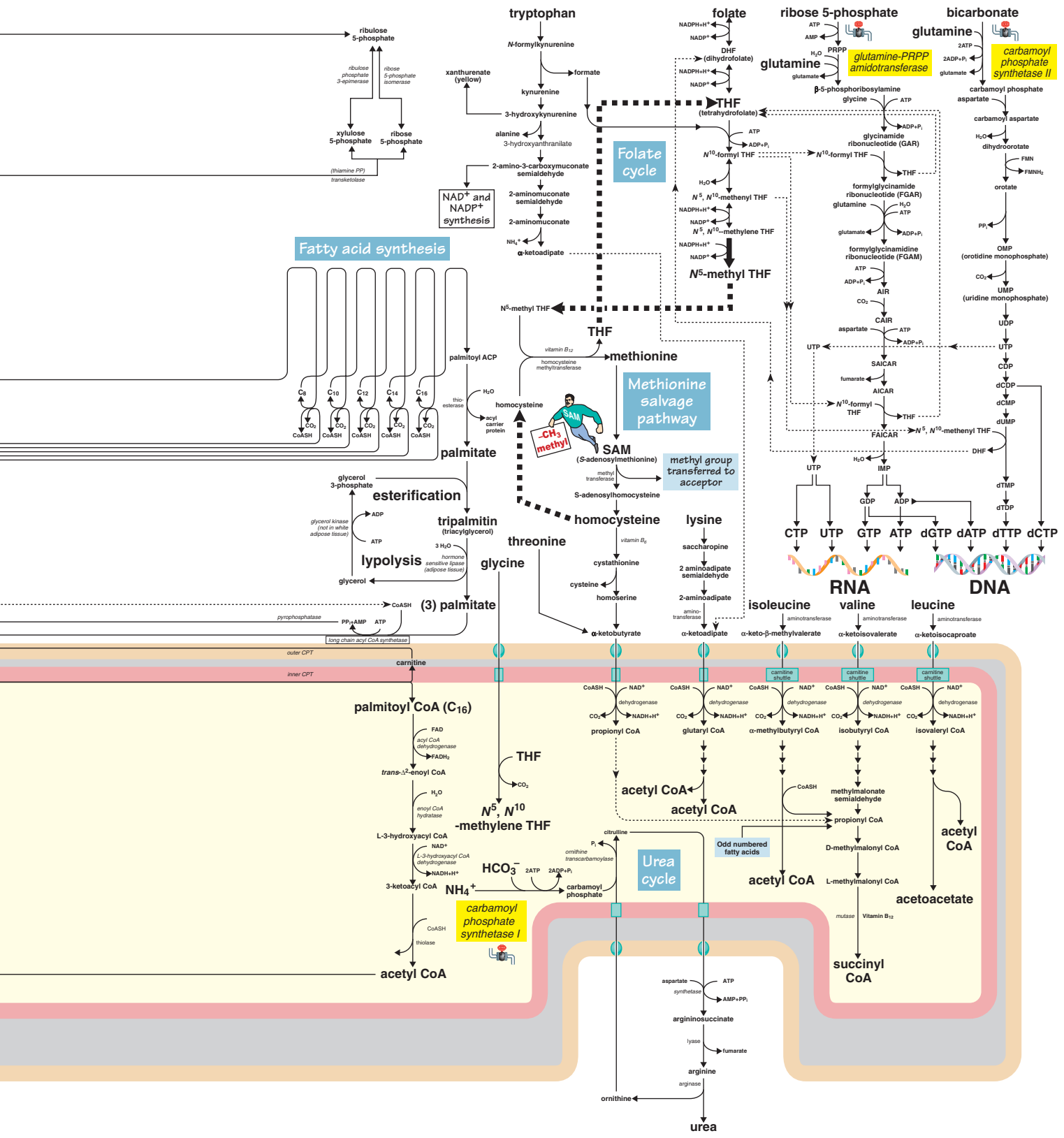
Dedication

In memory of Gordon Hartman (1936–2004), friend and colleague whose enthusiasm and encyclopaedic knowledge were an asset to all who knew him.



Regulatory enzyme





Medical Biochemistry at a Glance

Companion website

This book is accompanied by a companion website which contains interactive Multiple-Choice Questions:

www.ataglanceseries.com/medicalbiochemistry

Medical Biochemistry at a Glance

Dr J. G. Salway

School of Biomedical and Molecular Sciences
University of Surrey
Guildford
Surrey, UK

Third edition

 **WILEY-BLACKWELL**
A John Wiley & Sons, Ltd., Publication

This edition first published 2012 © 2012 by John Wiley & Sons, Ltd.

Wiley-Blackwell is an imprint of John Wiley & Sons, formed by the merger of Wiley's global Scientific, Technical and Medical business with Blackwell Publishing.

Registered office: John Wiley & Sons, Ltd, The Atrium, Southern Gate, Chichester, West Sussex, PO19 8SQ, UK

Editorial offices: 9600 Garsington Road, Oxford, OX4 2DQ, UK
The Atrium, Southern Gate, Chichester, West Sussex, PO19 8SQ, UK
111 River Street, Hoboken, NJ 07030-5774, USA

For details of our global editorial offices, for customer services and for information about how to apply for permission to reuse the copyright material in this book please see our website at www.wiley.com/wiley-blackwell

The right of the author to be identified as the author of this work has been asserted in accordance with the UK Copyright, Designs and Patents Act 1988.

All rights reserved. No part of this publication may be reproduced, stored in a retrieval system, or transmitted, in any form or by any means, electronic, mechanical, photocopying, recording or otherwise, except as permitted by the UK Copyright, Designs and Patents Act 1988, without the prior permission of the publisher.

First edition published 1996

Second edition published 2006

Second edition translations:

Chinese Translation 2007 Taiwan Yi Hsien Publishing Co. Ltd

Japanese Translation 2007 Medical Sciences International Ltd, Tokyo

Korean Translation 2007 E*PUBLIC KOREA Co. Ltd

Polish Translation 2009 Górnicki Wydawnictwo Medyczne

Designations used by companies to distinguish their products are often claimed as trademarks. All brand names and product names used in this book are trade names, service marks, trademarks or registered trademarks of their respective owners. The publisher is not associated with any product or vendor mentioned in this book. This publication is designed to provide accurate and authoritative information in regard to the subject matter covered. It is sold on the understanding that the publisher is not engaged in rendering professional services. If professional advice or other expert assistance is required, the services of a competent professional should be sought.

The contents of this work are intended to further general scientific research, understanding, and discussion only and are not intended and should not be relied upon as recommending or promoting a specific method, diagnosis, or treatment by physicians for any particular patient. The publisher and the author make no representations or warranties with respect to the accuracy or completeness of the contents of this work and specifically disclaim all warranties, including without limitation any implied warranties of fitness for a particular purpose. In view of ongoing research, equipment modifications, changes in governmental regulations, and the constant flow of information relating to the use of medicines, equipment, and devices, the reader is urged to review and evaluate the information provided in the package insert or instructions for each medicine, equipment, or device for, among other things, any changes in the instructions or indication of usage and for added warnings and precautions. Readers should consult with a specialist where appropriate. The fact that an organization or Website is referred to in this work as a citation and/or a potential source of further information does not mean that the author or the publisher endorses the information the organization or Website may provide or recommendations it may make. Further, readers should be aware that Internet Websites listed in this work may have changed or disappeared between when this work was written and when it is read. No warranty may be created or extended by any promotional statements for this work. Neither the publisher nor the author shall be liable for any damages arising herefrom.

Library of Congress Cataloging-in-Publication Data

Salway, J. G.

Medical biochemistry at a glance. – 3rd ed. / J.G. Salway.

p. ; cm. – (At a glance)

Includes bibliographical references and index.

ISBN-13: 978-0-470-65451-4 (pbk. : alk. paper)

ISBN-10: 0-470-65451-1 (pbk. : alk. paper) 1. Biochemistry—Outlines, syllabi, etc. 2. Clinical biochemistry—Outlines, syllabi, etc. I. Title. II. Series: At a glance series (Oxford, England)

[DNLM: 1. Biochemical Phenomena. QU 34]

QP514.2.G76 2012

612'.015—dc23

2011024248

A catalogue record for this book is available from the British Library.

Set in 9 on 11.5pt Times by Toppan Best-set Premedia Limited